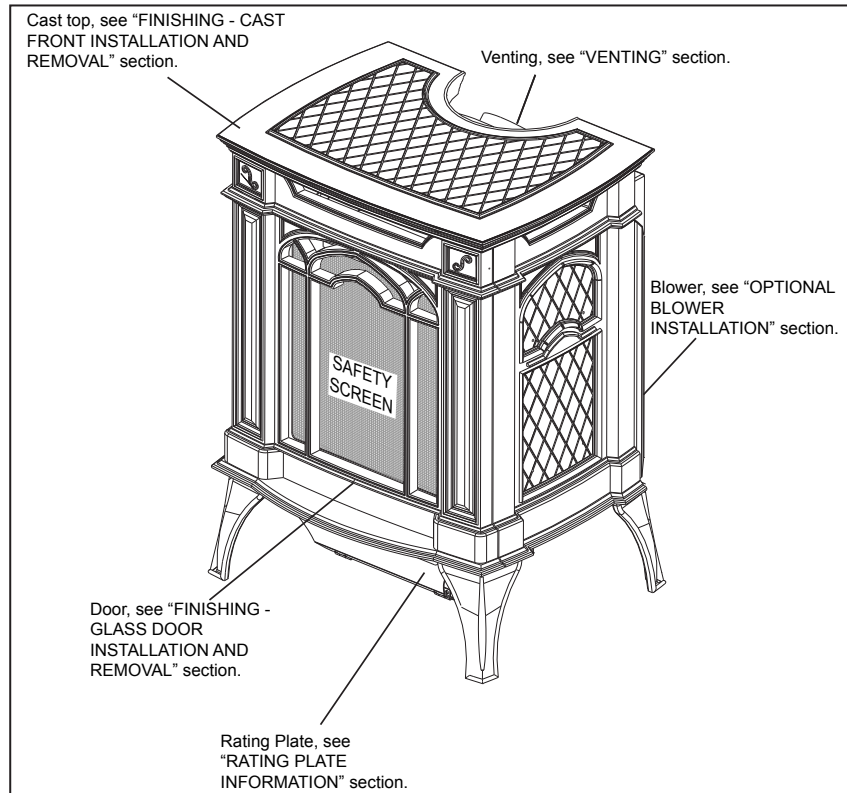


# ARLINGTON™ DIRECT VENT GAS STOVE

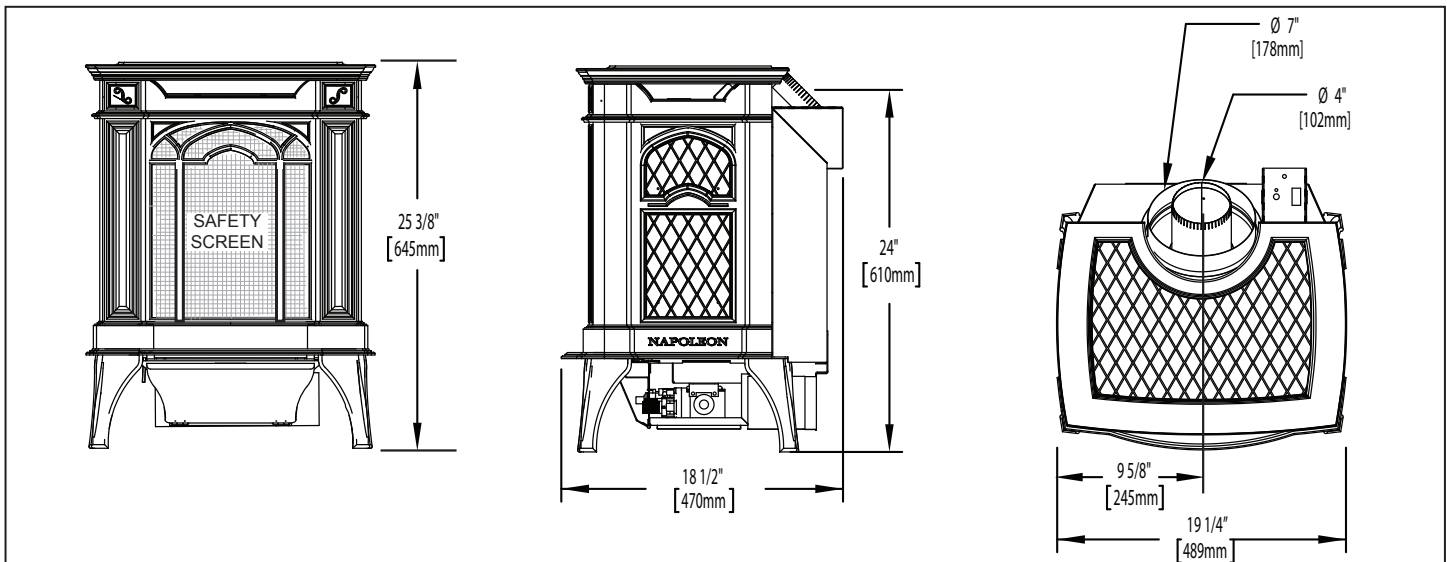
## Specifications

Model	BTU	Width	Height	Depth	Glass
GDS20	20,000	19 1/4"	25 3/8"	18 1/2"	13 X 14"

## Overview



## Dimensions



# ARLINGTON<sup>™</sup> DIRECT VENT GAS STOVE

## Clearances

### Vent Terminal Clearances

**COVERED BALCONY APPLICATIONS ††**

$Q_{MIN} = 3 \text{ feet (0.9m)}$     $R_{MAX} = 2 \times Q_{ACTUAL}$     $R_{MAX} \leq 15 \text{ feet (4.6m)}$

INSTALLATIONS		
	CANADA	U.S.A.
A	12" (305mm)	12" (305mm)
B	12" (305mm) <sup>Δ</sup>	9" (229mm) <sup>Δ</sup>
C	12" (305mm) <sup>Δ</sup>	12" (305mm) <sup>*</sup>
D	18" (457mm) <sup>**</sup>	18" (457mm) <sup>**</sup>
E	12" (305mm) <sup>**</sup>	12" (305mm) <sup>**</sup>
F	0" (0mm) <sup>***</sup>	0" (0mm)
G	0" (0mm) <sup>***</sup>	0" (0mm) <sup>***</sup>
H	3' (0.9m)	3' (0.9m) <sup>****</sup>
I	3' (0.9m)	3' (0.9m) <sup>****</sup>
J	12" (305mm)	9" (229mm)
K	6" (1.8m)	3" (0.9m) †
L	7" (2.1m) ‡	7" (2.1m) <sup>****</sup>
M	12" (305mm) ††	12" (305mm) <sup>****</sup>
N	16" (406mm)	16" (406mm)
O	2' (0.6m) <sup>††</sup>	2' (0.6m) ††
P	8' (2.4m)	8' (2.4m)
Q	3' (0.9m)	3' (0.9m)
R	6" (1.8m)	6" (1.8m)
S	12" (305mm)	12" (305mm)

<sup>Δ</sup> The terminal shall not be located less than 6 feet under a window that opens on a horizontal plane in a structure with three walls and a roof.  
<sup>\*</sup> Recommended to prevent condensation on windows and thermal breakage.  
<sup>\*\*</sup> It is recommended to use a heat shield and to maximize the distance to vinyl clad soffits.  
<sup>\*\*\*</sup> The periscope requires a minimum 18 inches clearance from an inside corner.  
<sup>\*\*\*\*</sup> This is a recommended distance. For additional requirements check local codes.  
<sup>†</sup> 3 feet above if within 10 feet horizontally.  
<sup>‡</sup> A vent shall not terminate where it may cause hazardous frost or ice accumulations on adjacent property surfaces.  
<sup>††</sup> Permitted only if the veranda, porch, or deck is fully open on a minimum of two sides beneath the floor.  
<sup>†††</sup> Recommended to prevent recirculation of exhaust products. For additional requirements check local codes.  
<sup>††††</sup> Permitted only if the balcony is fully open on a minimum of one side.  
**NOTE:** Clearances are in accordance with local installation codes and the requirements of the gas supplier.

### Minimum Clearance To Combustibles

**MAINTAIN THESE MINIMUM CLEARANCES TO COMBUSTIBLES:**

A. 4" (1219mm)   B. 2" (51mm)<sup>\*</sup>   C. 2" (51mm)

Appliance top to ceiling	48" (1219mm)
<b>Horizontal vent</b>	
Sides and bottom <sup>**</sup>	1" (25mm)
Top	2" (51mm)
<b>Vertical Vent</b>	
All sides	1" (25mm)

<sup>\*</sup> At a distance of 2" (51mm) from the wall, access to the blower switch, on-off switch or the blower power cord may not be practical. A minimum of 5" (127mm) will be required in order to install the blower.

<sup>\*\*</sup> **HORIZONTAL VENT SECTIONS:** A minimum clearance of 1" (25mm) at the bottom and sides and 2" (51mm) at the top of the vent pipe in all horizontal runs to combustibles is required. Use firestop spacer W585-0267 (supplied).

<sup>\*\*\*</sup> **VERTICAL VENT SECTIONS:** A minimum of 1" (25mm) all around the vent pipe on all vertical runs to combustibles is required. Use firestop spacer W500-0097 (not supplied).

### Minimum Vertical Vent Rise

16" (406mm) MINIMUM

40 FT (12M) MAXIMUM

3 FT (1M) MINIMUM

24" (610mm) MAXIMUM

25 3/8" (645mm) MINIMUM PLUS RISE\*

25 3/8" (645mm)

\* See "VENTING" section

Product information provided is not complete and is subject to change without notice. Please consult the installation manual for the most up to date installation information.