

AN ALL-IN ONE STATEMENT PIECE

THE NEW CINEVIEW
ELECTRIC INSERT SERIES



napoleon.com

Cineview Series Electric Insert

Napoleon's new Cineview electric inserts are available in 2 sizes – 26" and 30" and come with both logs and crystal media in one box, creating simplicity and flexibility for the homeowner to change up their look based on the season. Featuring orange, blue and multi-colored flame options and 7 different ember bed lights the Cineview can be customized for any setting. Complete with a self-trimming flange for a clean built-in finish. Optional 3pc and 4pc trims are available where more substantial surrounds are desired or when converting a old wood burning fireplace surround. The Cineview also comes standard with an ECO and BOOST modes, which acts like a 2-stage furnace, giving a little extra boost when it is close to reach the temperature desired and conserving energy when needed.

Features & Benefits

- Available in 2 sizes – 26" and 30"
- 120 V / 1,500 Watts
- Plug in or Hardwire
- Logs and Crystal media in one box
- ECO Mode: Heater at half heat - consuming half the energy
- BOOST Mode: Heater at maximum heat with increased blower speed
- Self-trimming flange for clean built-in appearance
- 7 ember bed color options
- Orange, Blue and Combined Multi-Color Flame options
- Touch screen control panel
- Optional 3pc and 4pc. Trims available
- Adjustable flame speed and brightness
- 5,000 BTU's, heats up to 400 sq. ft.

LOW ENERGY
LED
HIGH INTENSITY

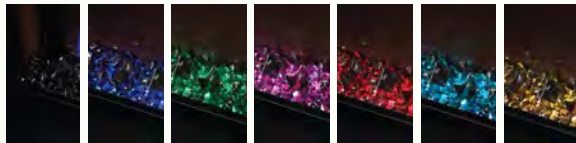
Features/Accessories/Options



Burnt oak logset and Crystal Media



Brick Side Panel Detail



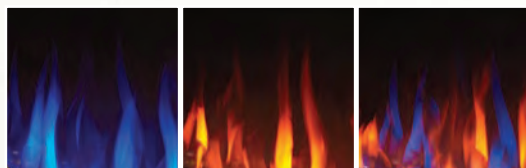
Ember Bed Color Options
(Black Blue, Green, Purple/Pink, Red, Teal, Topaz)



Optional 3 Piece Trim



Optional 4 Piece Trim



Flame Color Options
(Blue, Orange and Multi-Colored)



Control Panel



Remote Control



Napoleon's Cineview electric insert creates an **ALL-IN ONE STATEMENT** for any homeowner looking for comfort and simplicity!



Electric Fireplace
Economical to Operate



Safe To Touch
Never hot enough to burn



Adjustable temperature
Adjust the heat being produced by choosing a temperature



Plug-in
Simply plug in and your fireplace is ready



Eco-Friendly
Only heat the rooms you use most



ULTRA BRIGHT™ LED Lights
Provide day or night intensity



Multi-function remote
Controls flame color intensity, flame speed, ember bed color, heat output and timer



WHISPER QUIET™
Operates at a whisper to ensure enjoyment

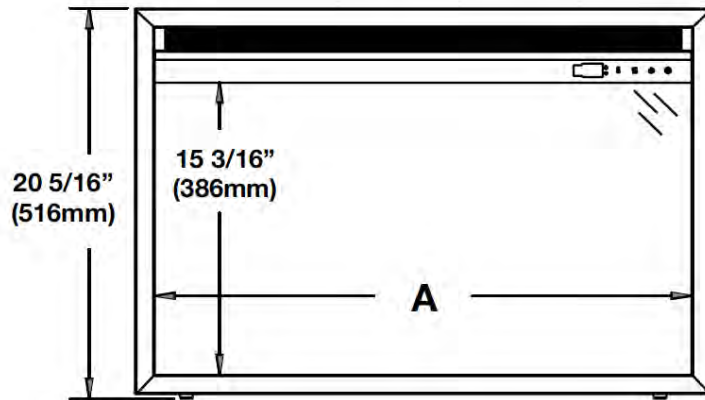
Specifications

Product Code	BTU's (Input)	Watts	Voltage	Amps	Height		Front Width		Depth		Glass Viewing Area	
					Actual	Framing	Actual	Framing	Actual	Framing	Height	Width
NEFB26H	5,000	1,500	120V AC	15	20 1/4"	20"	26"	25 1/4"	7 3/4"	7 3/4"	15 1/4"	24"
NEFB30H	5,000	1,500	120V AC	15	20 1/4"	20"	30"	29 1/4"	7 3/4"	7 3/4"	15 1/4"	28"

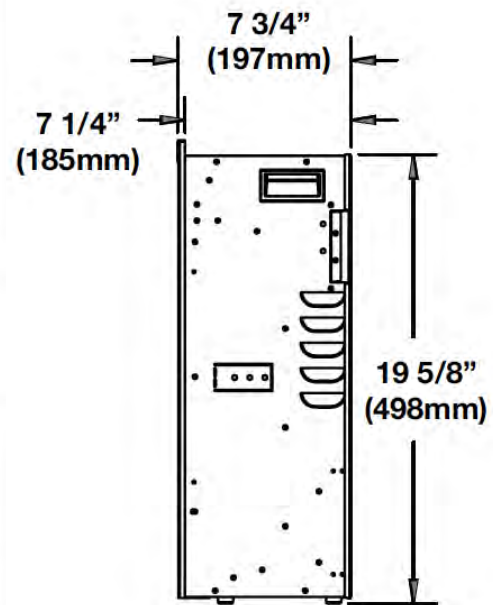
Certified under Canadian and American National Standards.

Figures may vary with individual conditions such as floor plan layout, insulation value/heat loss of the house and geographical location.

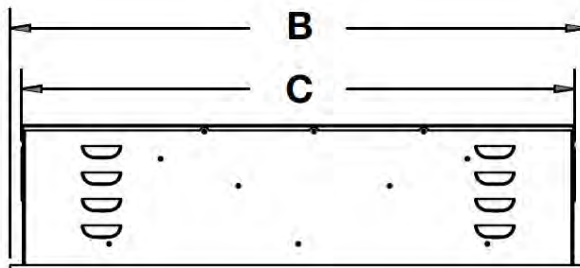
FRONT VIEW



SIDE VIEW



TOP VIEW



Authorized Dealer

24 Napoleon Road, Barrie, Ontario, Canada L4M 0G8
 103 Miller Drive, Crittenden, Kentucky, USA 41030
 7200 Trans Canada Highway, Montreal, Quebec, Canada H4T 1A3

Tel: 1-866-820-8686
 napoleon.com



Consult your owner's manual for complete installation instructions and proper clearances to combustible materials. Check all local and national building codes and gas regulations. All specifications are subject to change without prior notice due to on-going product improvements. Products may not be exactly as shown. Napoleon is a registered trademark of Wolf Steel Group Inc.