

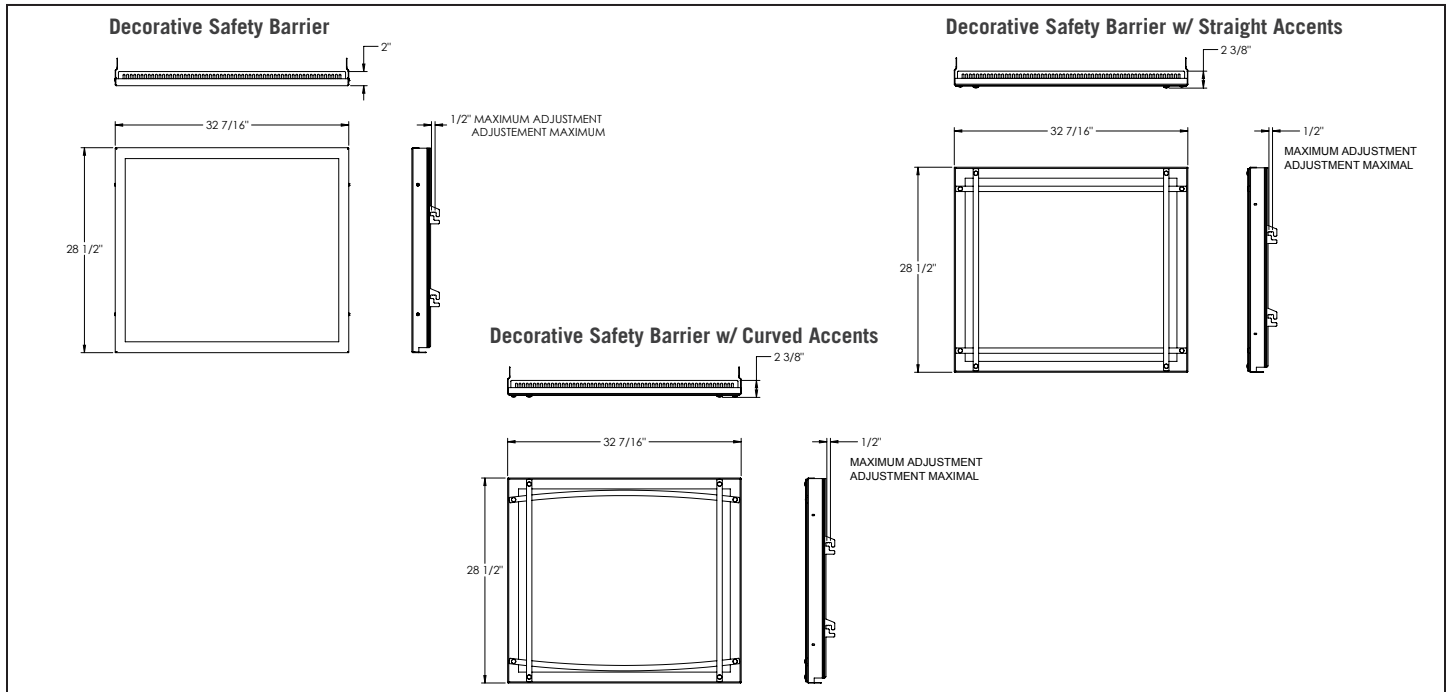
HIGH DEFINITION™ 35 DIRECT VENT GAS FIREPLACE



Specifications

Model	BTU	Width		Height		Depth		Viewing Area
		Actual	Framing	Actual	Framing	Actual	Framing	
HD35	25,000	35 1/4"	35 3/4"	41"	41 1/4"	21 7/8"	22 1/4"	31 1/8" x 28 3/16"

Front Options

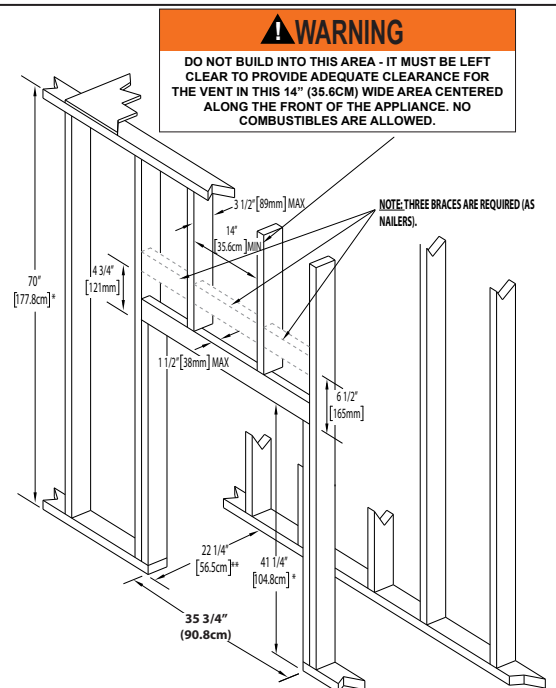


Framing

COMBUSTIBLE FRAMING:	
Sides, back, bottom and top of the appliance	0" to stand offs
COMBUSTIBLE FINISHING:	
Sides, Bottom and Top	1 1/4" (32mm) to sides, 0" to bottom, 6 1/2" (165mm) to top of the appliance
Enclosure Top	70" (177.8cm) from the bottom of the appliance
Recessed Depth	22 1/4" (56.5cm)
Sides and bottom of the vent pipe	1" (25mm)
Top of vent pipe	2" (51mm)
Ceiling	62" (157.5cm) from the bottom of the appliance

*** HORIZONTAL VENT SECTIONS:** A minimum clearance of 1" (25mm) at the bottom and sides and 2" (51mm) at the top of the vent pipe in all horizontal runs to combustibles is required except for clearances in appliance enclosures. Horizontal vent sections within enclosures require a minimum clearance of 9" (229mm) at the top of the vent pipe. See "MINIMUM CLEARANCE TO COMBUSTIBLE ENCLOSURES" section. Use firestop spacer W010-1777 (supplied) where vent pipe penetrates combustible walls.

*** VERTICAL VENT SECTIONS:** A minimum clearance of 1" (25mm) all around the vent pipe on all vertical runs to combustibles is required except for clearances in appliance enclosures. Vertical vent sections within enclosures require a minimum clearance of 4" (102mm) to the sides of the vent pipe. See "MINIMUM CLEARANCE TO COMBUSTIBLE ENCLOSURES" section. Use firestop spacer W500-0292 (not supplied) where vent pipe penetrates combustible ceilings or floors.



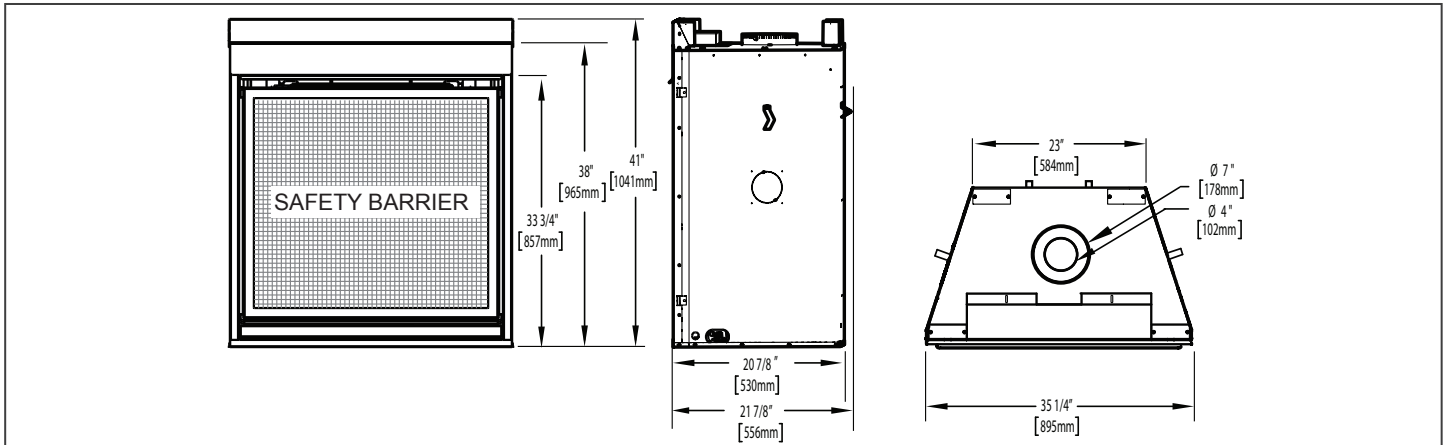
* Allow for finished floor and hearth thickness when setting these dimensions.
 ** When constructing the enclosure allow for finishing material thickness to maintain clearances.

HIGH DEFINITION™ 35 DIRECT VENT GAS FIREPLACE

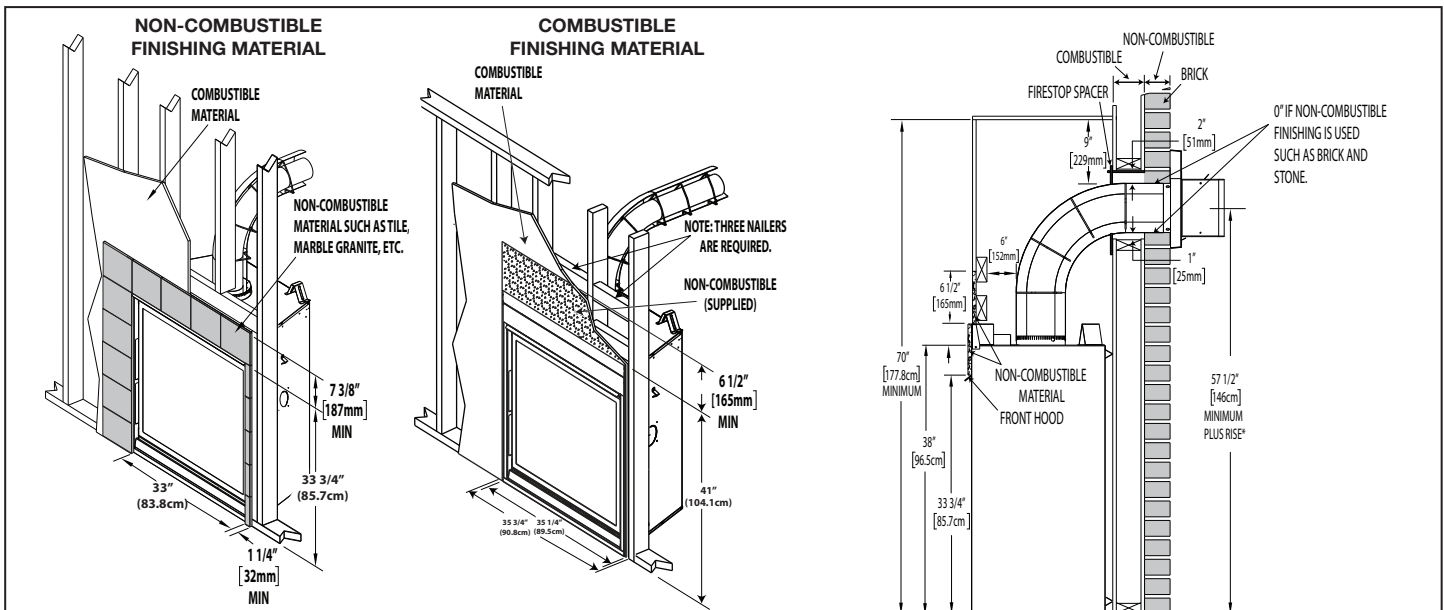


Product information provided is not complete and is subject to change without notice. Please consult the installation manual for the most up to date installation information.

Dimensions



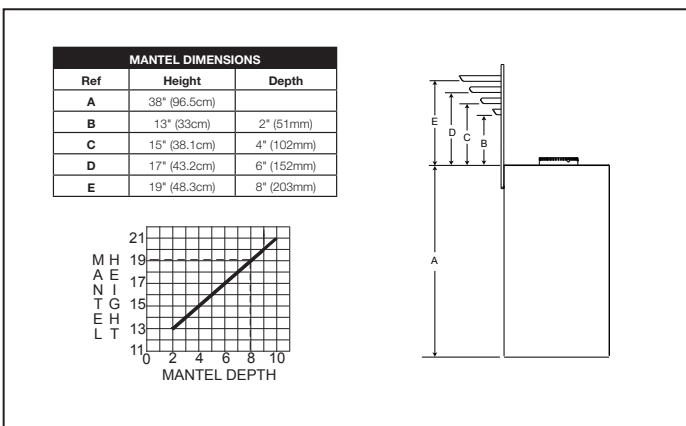
Wall Penetration



NOTE: For detailed installation instructions on the 4-sided frame, optional faceplate or beveled trims refer to the installation instructions provided with the kit.

A joint compound that is resistant to heat and cracking should be used when taping and mudding seams.

Combustible Mantel Clearances



Appliance Location

