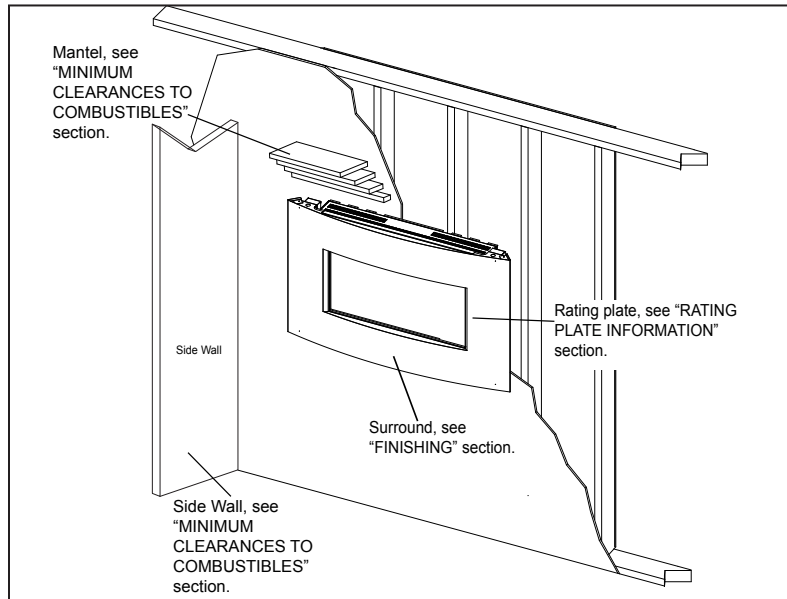


PLAZMAFIRE™ VF31 VENT FREE GAS FIREPLACE

Specifications

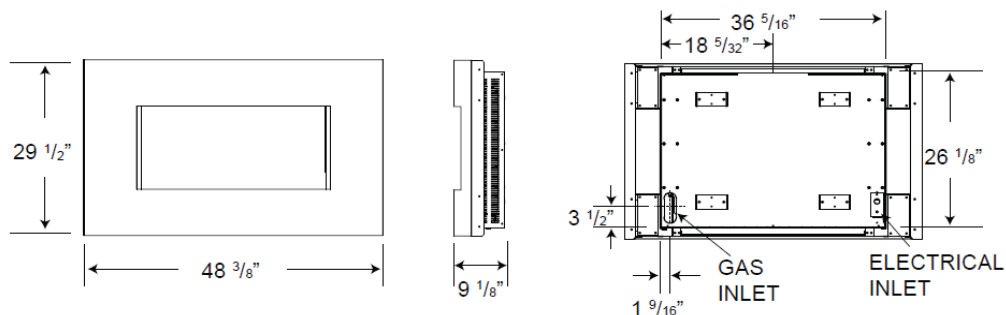
Model (Surround)	BTU	Width	Height	Depth	Glass
WHVF31 (Convex)	20,000	48 3/8	29 1/2	9 1/8	17.4 x 31.6
WHVF31 (Rectangular)	20,000	43 5/16	28	7 3/8	17.1 x 31.6

Overview

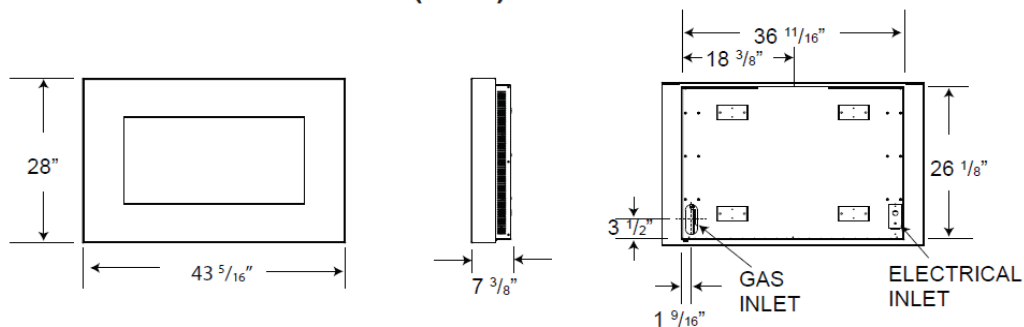


Dimensions

CONVEX SURROUND (S31CV)



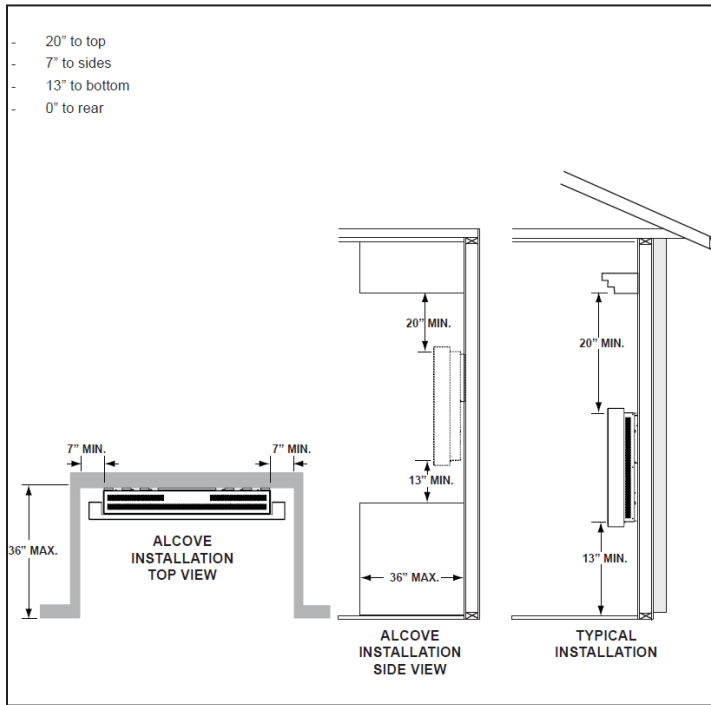
RECTANGULAR SURROUND (S31R)



PLAZMAFIRE™ VF31 VENT FREE GAS FIREPLACE

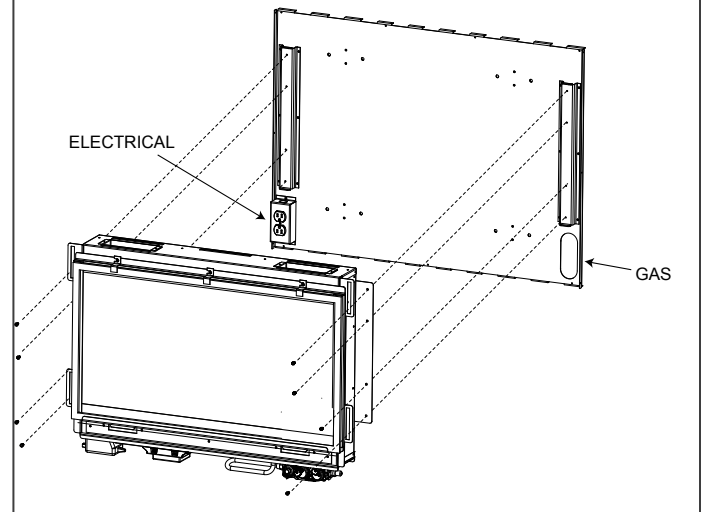
Framing & Clearances

Minimum Clearance to Combustibles



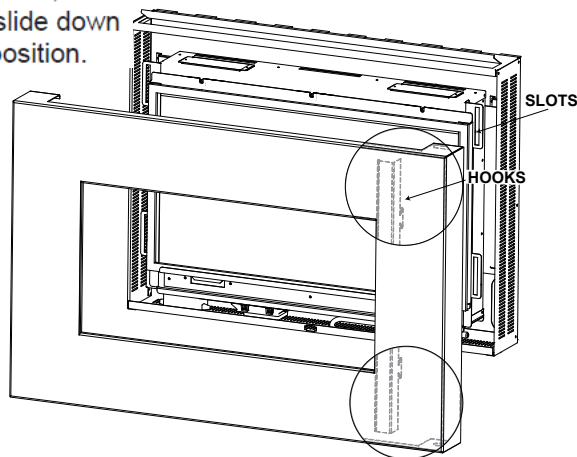
Mounting the Appliance

- A. Level and affix the paper template to the wall at desired location and height. The centre line of the template should be located directly between two wall studs.
- B. Using the template, mark the holes for the gas and electrical outlets and mounting screws. See "MINIMUM CLEARANCES TO COMBUSTIBLES" section. **NOTE:** There are two sets of four mounting holes. Choose the appropriate set for either 16" or 24" centres and make sure they line up to the wooden wall studs. If this is not possible, mark the template where the studs are located and transfer these locations to the mounting plate.
- C. Remove the paper template from the wall and cut the holes as marked.
- D. Remove the four screws that secure the wall mounting plate to the appliance.
- E. If required, transfer the stud location marks from the template to the mounting plate and drill a ¼ diameter hole. Level the mounting plate and secure it to the studs using the 4 fasteners provided. The fasteners must be threaded into the wall studs.



Surround Installation/Removal

Lift the surround and engage the hooks into the slots on the appliance, then let it slide down into position.



Product information provided is not complete and is subject to change without notice. Please consult the installation manual for the most up to date installation information.

Door Removal/Installation

- A. Remove the surround. (see "SURROUND INSTALLATION/REMOVAL" section.)
- B. Remove the 3 screws that secure the door.
- C. Lift the door up and off.

