

VERSO™ SERIES VENTED GAS LOG SETS

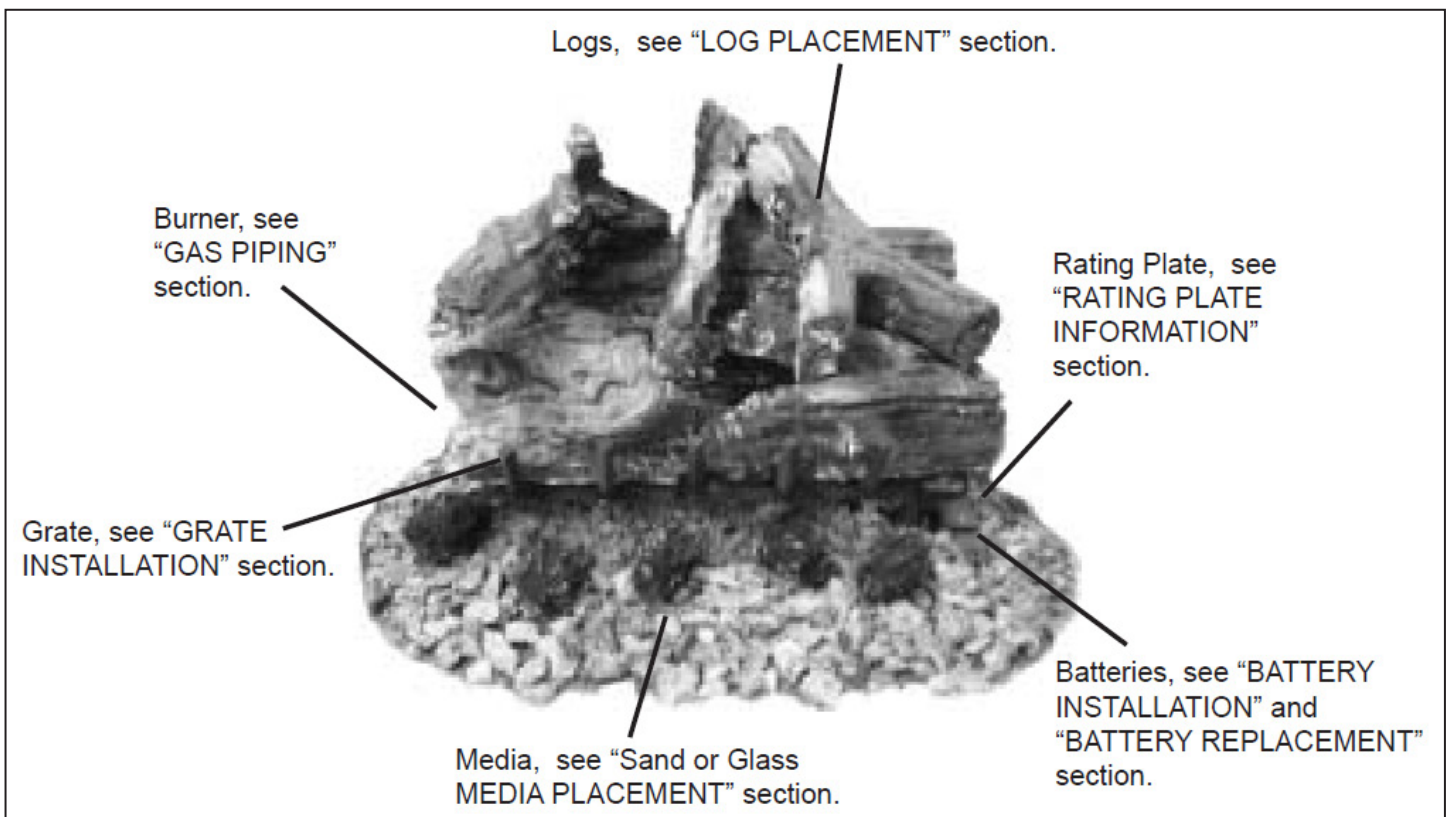
Specifications

Model	BTU		Minimum Fireplace Cavity Size		
	NG	LP	Height`	Rear Width	Depth
GL22	70,000	50,000	20	23	14
GL28	80,000	65,000	20	29	14
GL32	90,000	65,000	22	33	14

Overview



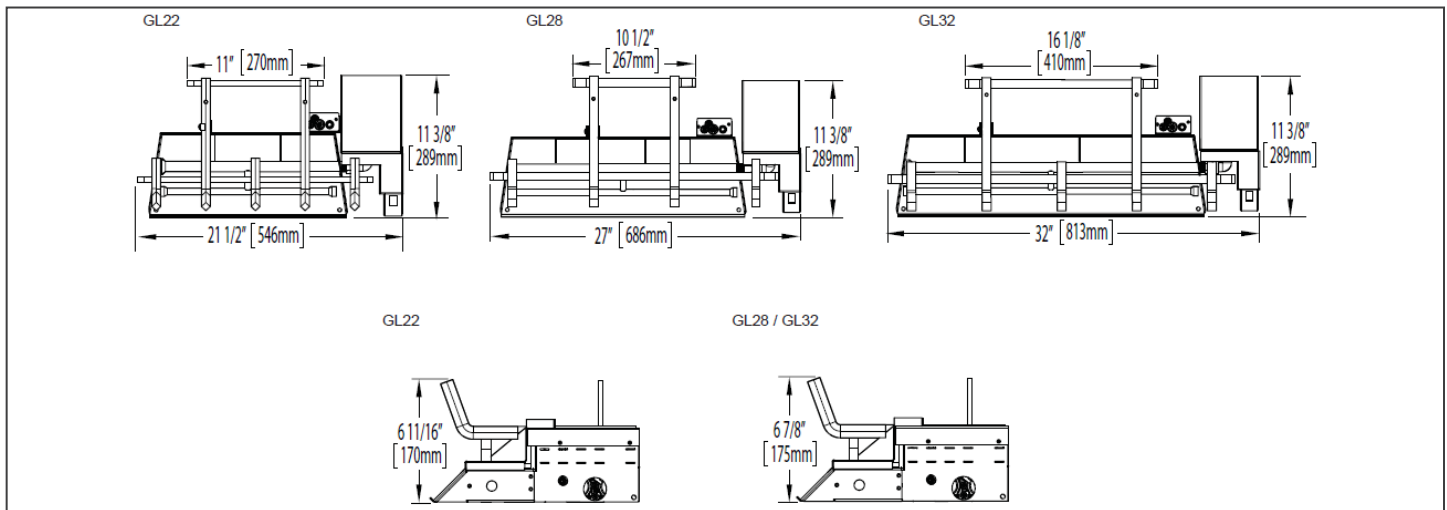
Installation Overview



VERSO™ SERIES VENTED GAS LOG SETS

Clearances

Dimensions



General Information

⚠ WARNING

THIS APPLIANCE MUST NOT BE INSTALLED IN A BEDROOM OR BATHROOM.

	GL22		GL28		GL32	
	NG	LP	NG	LP	NG	LP
Altitude (FT)	0-4,500	0-4,500	0-4,500	0-4,500	0-4,500	0-4,500
Max input (BTU/HR)	70,000	50,000	80,000	65,000	90,000	65,000
Min Inlet Gas Supply Pressure	4.5" InWc (11.2mb)	11" InWc (27.4mb)	4.5" InWc (11.2mb)	11" InWc (27.4mb)	4.5" InWc (11.2mb)	11" InWc (27.4mb)
Max Inlet Gas Supply Pressure	7" InWc (17.4mb)	13" InWc (32.4mb)	7" InWc (17.4mb)	13" InWc (32.4mb)	7" InWc (17.4mb)	13" InWc (32.4mb)
Manifold Pressure (Under Flow Conditions)	3.5" InWc (8.7mb)	10" InWc (25mb)	3.5" InWc (8.7mb)	10" InWc (25mb)	3.5" InWc (8.7mb)	10" InWc (25mb)

Damper Stop Installation

*CHIMNEY HEIGHT	MINIMUM DAMPER OPENING		
	GL22	GL28	GL32
6' (1.8m)	56.6" (1439mm)	64" (6125.6mm)	71.4" (1813.5mm)
8' (2.4m)	52.4" (1331mm)	59.7" (1516.8mm)	66.9" (1699.2mm)
10' (3m)	48.2" (1224.2mm)	54.3" (1379.2mm)	60.2" (1529mm)
15' (4.6m)	43.2" (1097.2mm)	48.8" (1239.5mm)	54.1" (1374.1mm)
20' (6m)	39.8" (1011mm)	44.4" (1127.7mm)	49.1" (1247.1mm)
30' (9.1m)	35.9" (911.8mm)	40.3" (1023.6mm)	44.5" (1130.3mm)

Product information provided is not complete and is subject to change without notice. Please consult the installation manual for the most up to date installation information.